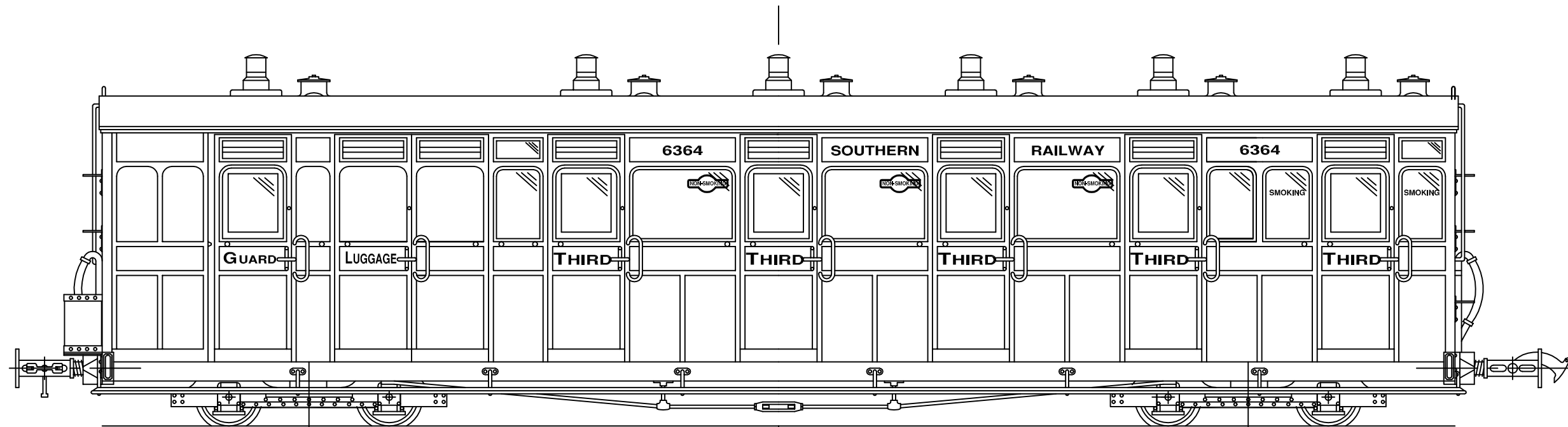
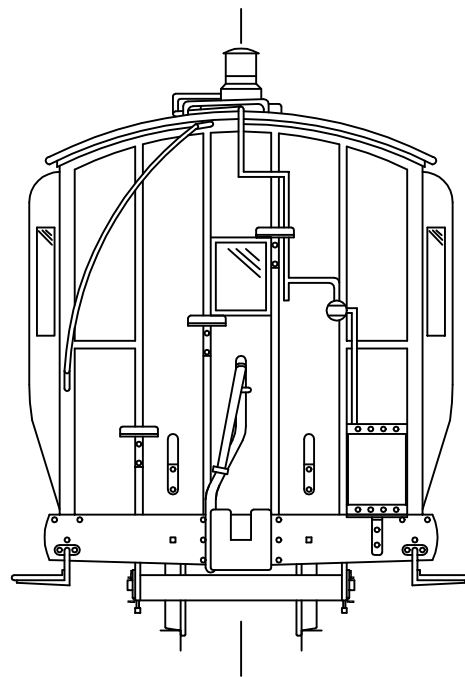


THE LYNTON AND BARNSTAPLE RAILWAY

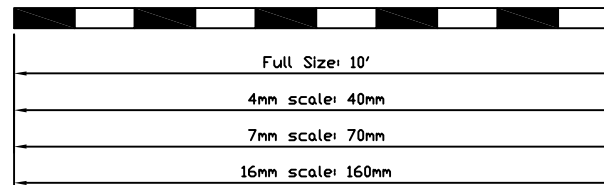
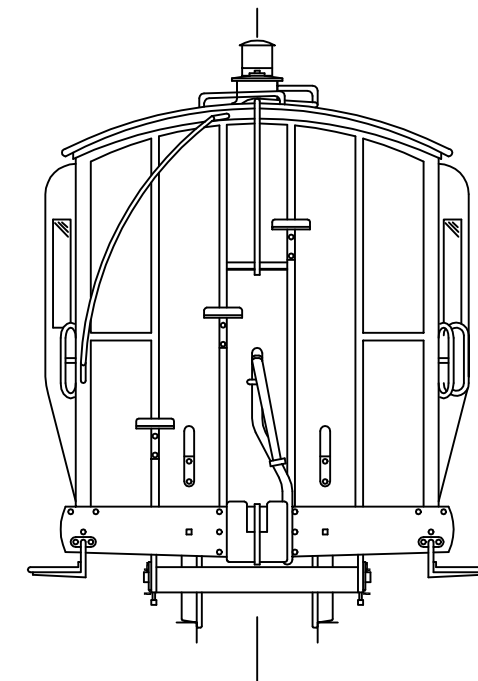
Passenger Rolling Stock Built By
The Bristol Carriage & Wagon Works 1898



COACH No. 16 - THIRD BRAKE
SOUTHERN RAILWAY No. 4108



Length: 35' 2"
Width: 6' 0"
Height: 8' 7"
Weight: 9Tons 0cwt
Seats: 40 Third Class



SCALE : 8mm = 1'
FILE : LBPRS15.DWG

R Wilkinson 1/2006