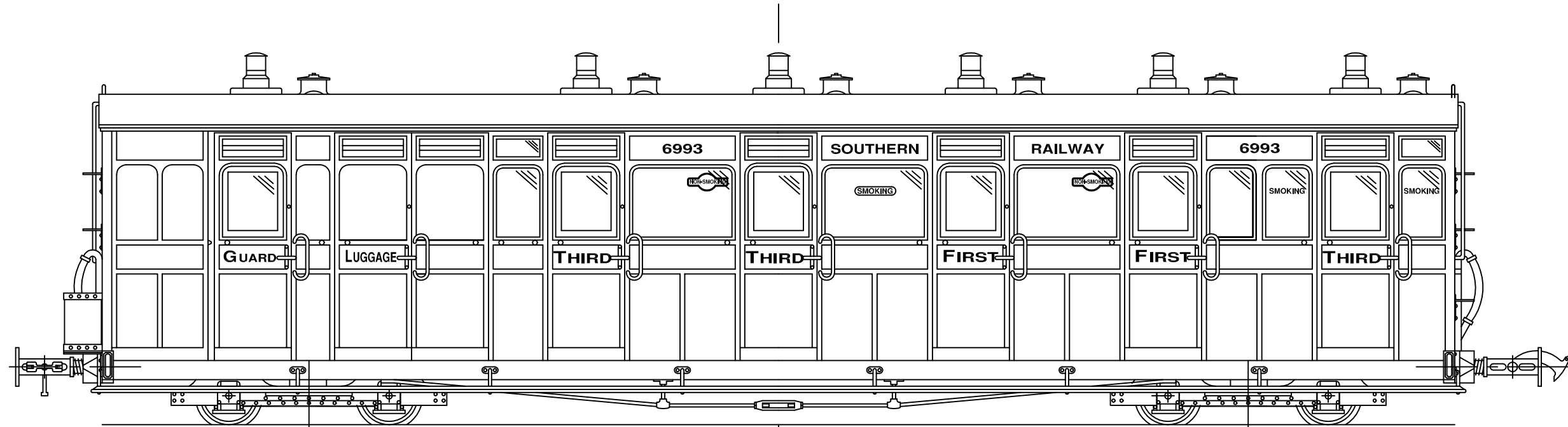


THE LYNTON AND BARNSTAPLE RAILWAY

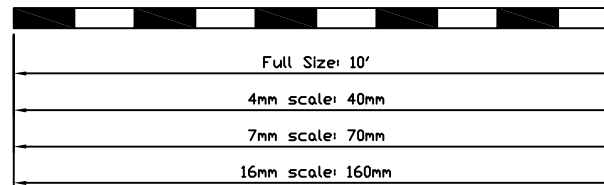
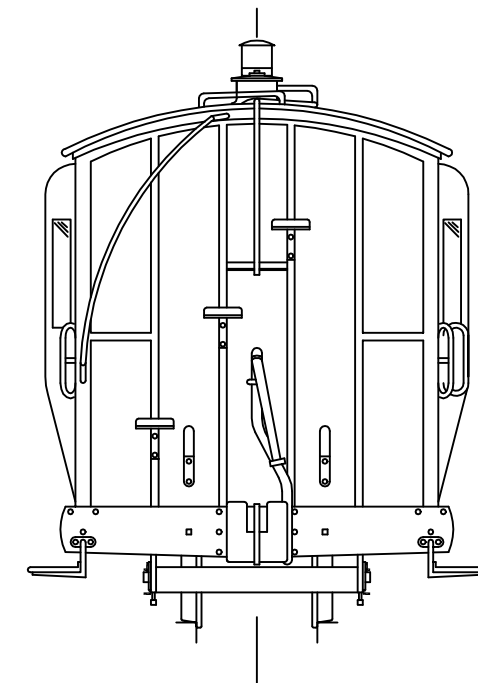
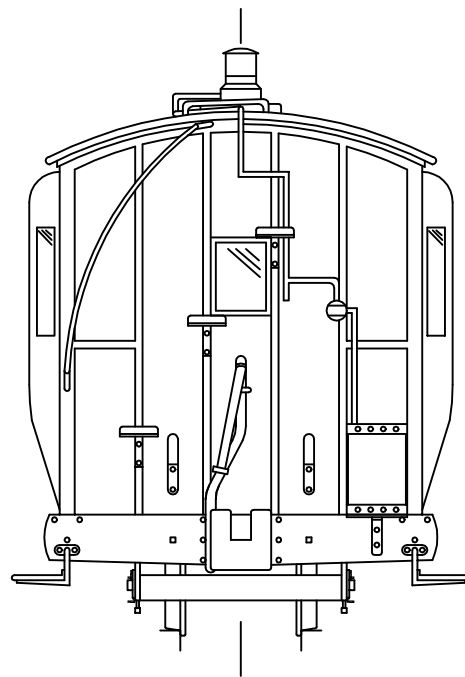
Passenger Rolling Stock Built By
The Bristol Carriage & Wagon Works 1898



COACH No. 15 - BRAKE COMPOSITE SOUTHERN RAILWAY Nos. 6993

Length: 35' 2"
Width: 6' 0"
Height: 8' 7"
Weight: 9Tons 0cwt
Seats: 9 First Class
20 Third Class

This Coach was supplied identical to No.16, but converted to a composite for single coach trains.



SCALE : 8mm = 1'
FILE : LBPRS15.DWG

R Wilkinson 1/2006