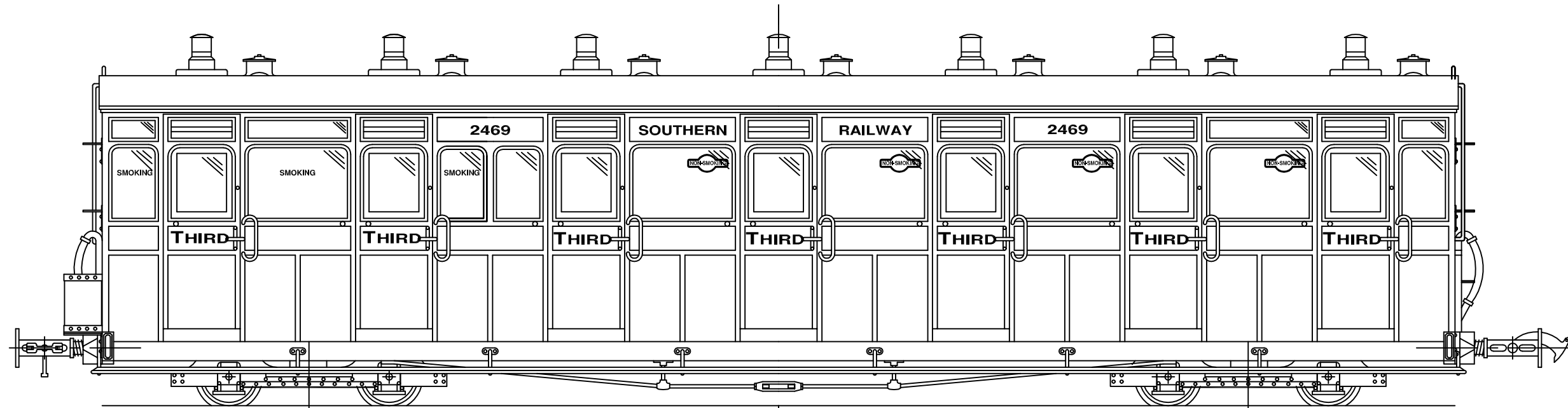
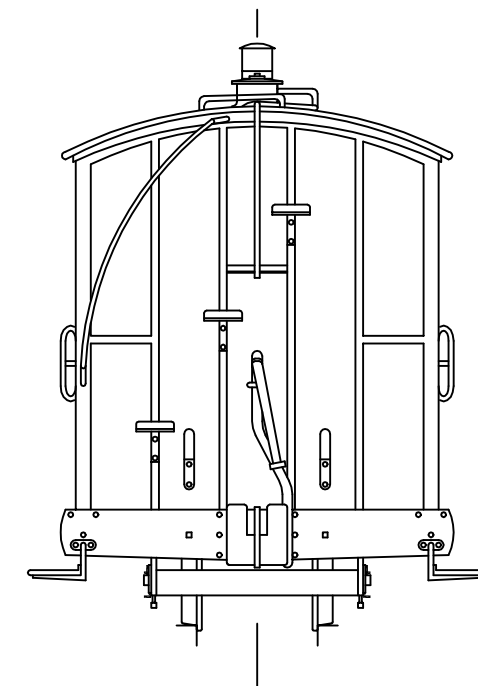
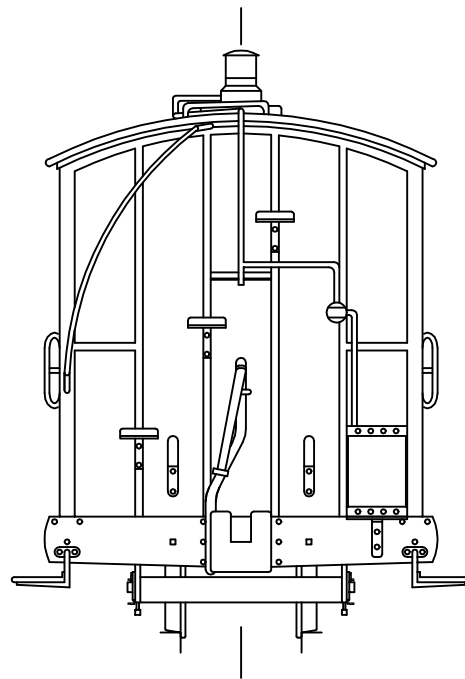


THE LYNTON AND BARNSTAPLE RAILWAY

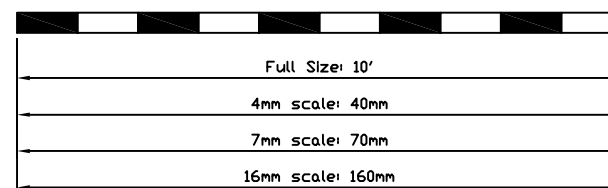
Passenger Rolling Stock Built By
The Bristol Carriage & Wagon Works 1898



COACH Nos. 11,12,13 & 14 - THIRD
SOUTHERN RAILWAY Nos. 2469 TO 2472



Length: 35' 2"
Width: 6' 0"
Height: 8' 7"
Weight: 8Tons 16cwt
Seats: 56 Third Class



SCALE : 8mm = 1'
FILE : LBPRS11.DWG

R Wilkinson 1/2006