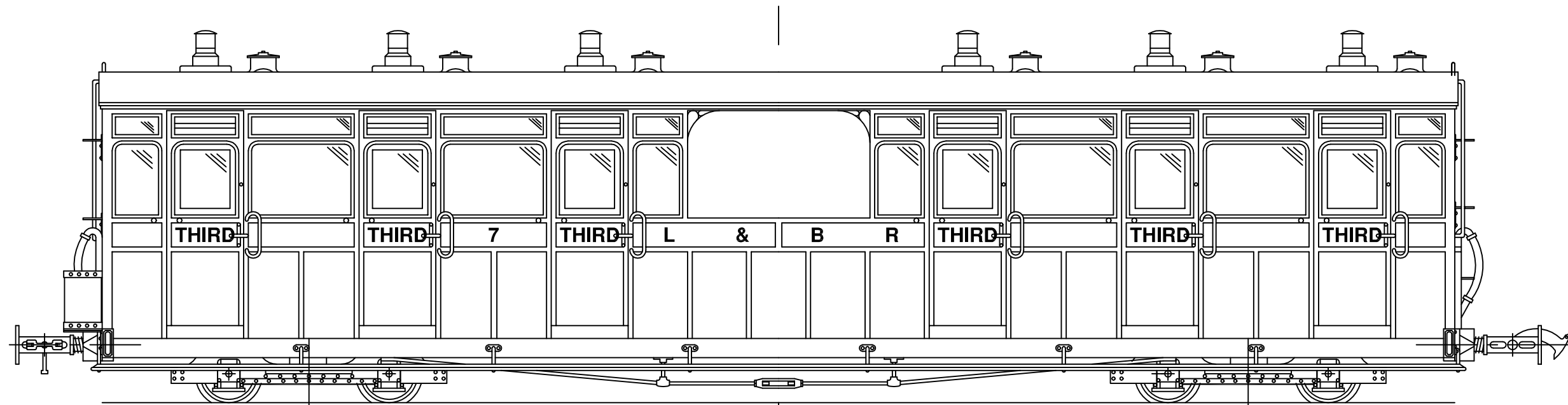
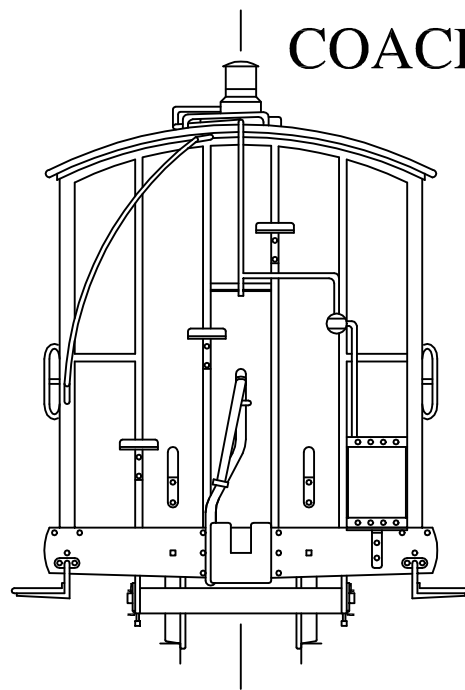


THE LYNTON AND BARNSTAPLE RAILWAY

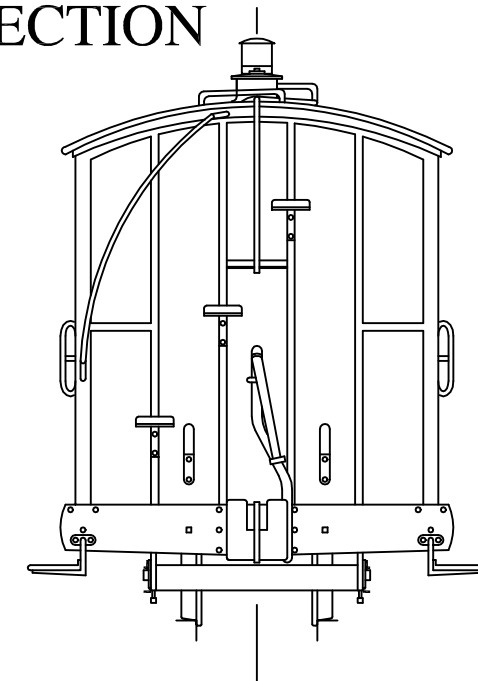
Passenger Rolling Stock Built By
The Bristol Carriage & Wagon Works 1898



COACH Nos. 7, 8, 9 & 10 - THIRD WITH OPEN CENTRE SECTION
SOUTHERN RAILWAY Nos. 2465 TO 2468



Length:
Width: 35' 2"
Height: 6' 0"
Weight: 8' 7"
Seats: 8Tons 16cwt
50 Third Class



Full Size: 10'
4mm scale: 40mm
7mm scale: 70mm
16mm scale: 160mm

SCALE : 8mm = 1'
FILE : LBPRS07.DWG

R Wilkinson 1/2006