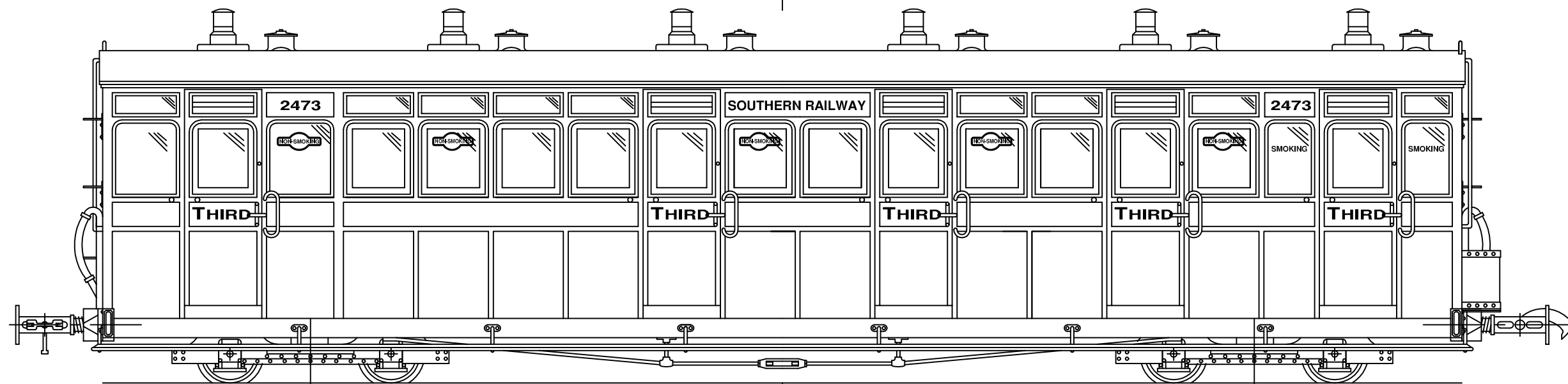


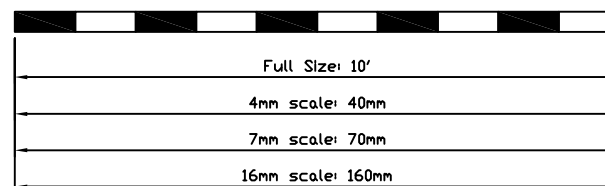
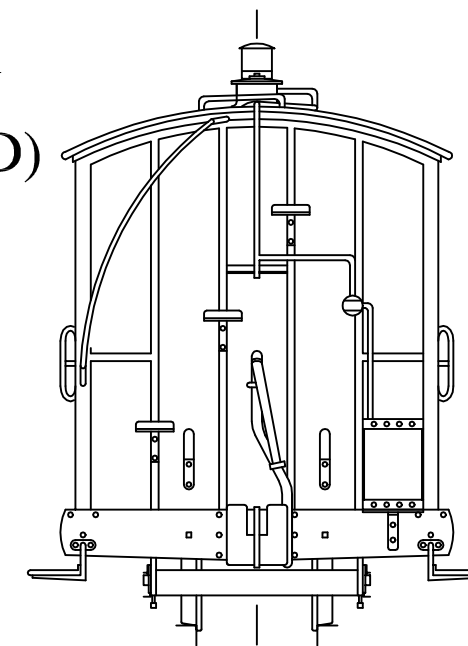
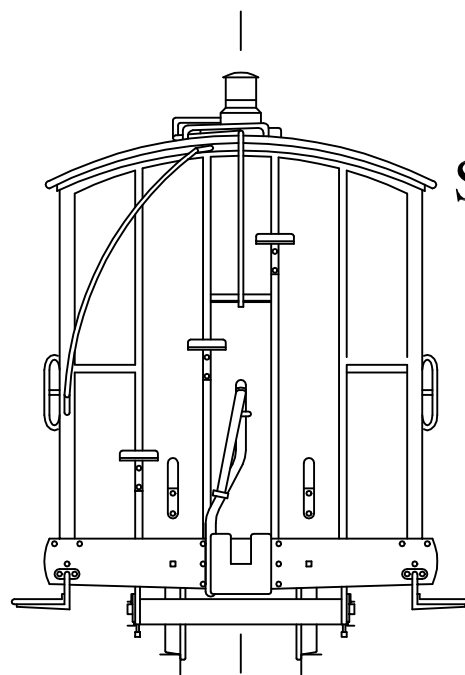
# THE LYNTON AND BARNSTAPLE RAILWAY

Passenger Rolling Stock Built By  
The Bristol Carriage & Wagon Works 1898



## COACH Nos. 3 & 4 - COMPOSITE OBSERVATION SOUTHERN RAILWAY Nos. 2473 AND 2474 (THIRD)

Length: 35' 2"  
Width: 6' 0"  
Height: 8' 7"  
Weight: 8Tons 16cwt  
Seats: 30 First Class  
8 Third Class



SCALE : 8mm = 1'  
FILE : LBPRS03.DWG

R Wilkinson 1/2006