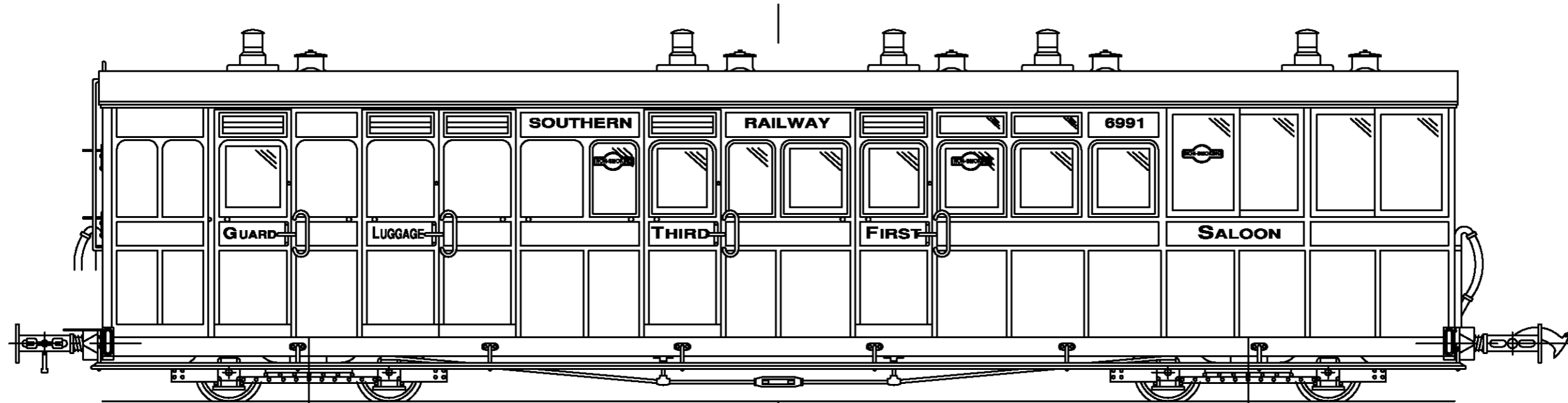
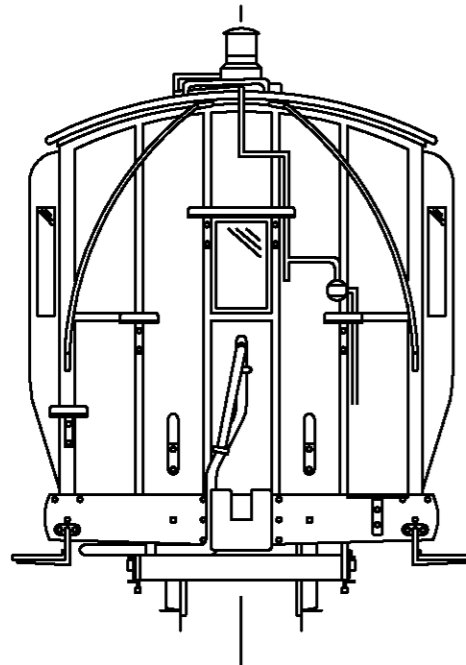


THE LYNTON AND BARNSTAPLE RAILWAY

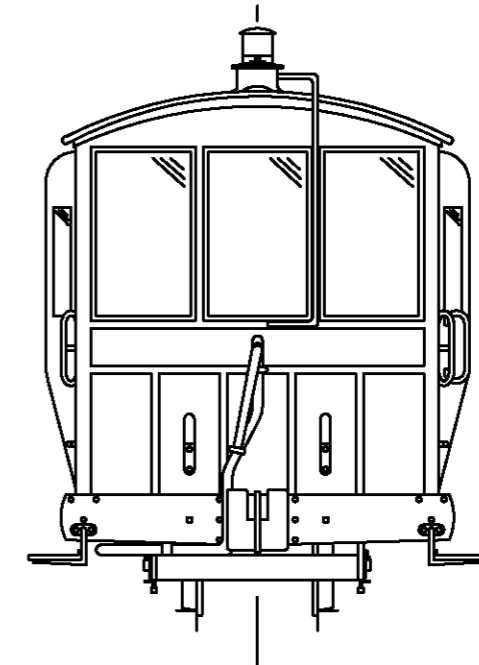
Passenger Rolling Stock Built By
The Bristol Carriage & Wagon Works 1898



COACH Nos. 1 & 2 - COMPOSITE BRAKE SOUTHERN RAILWAY Nos. 6991 & 6992



Length: 35' 2"
Width: 6' 0"
Height: 8' 7"
Weight: 9Tons 0cwt
Seats: 17 First Class
8 Third Class
1 Dog Box



Full Size 10' (3000)
4mm scale 40mm
7mm scale 70mm
16mm scale 160mm

SCALE : 8mm = 1'
FILE : LBPRS01.DWG

R Wilkinson 1/2006